

Clamping ring, for elastomer seal - PF100325-T[Similar Image](#)**Technical Data**

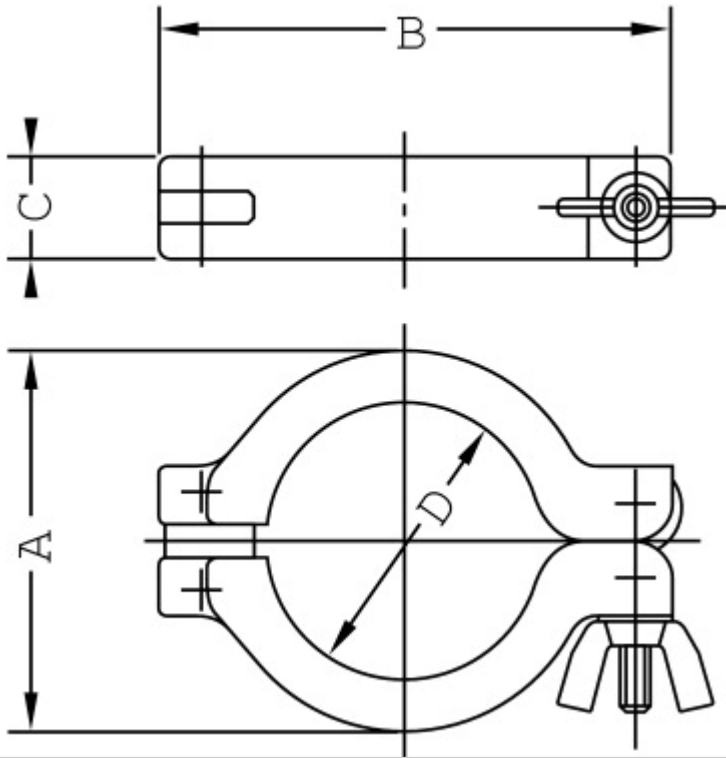
Flange (in)

DN 20 - 25 ISO-KF

Materials

Aluminium / Steel, Zinc plated

Dimensions



| | |
|---|-------|
| A | 55 mm |
| B | 72 mm |
| C | 16 mm |
| D | 32 mm |